

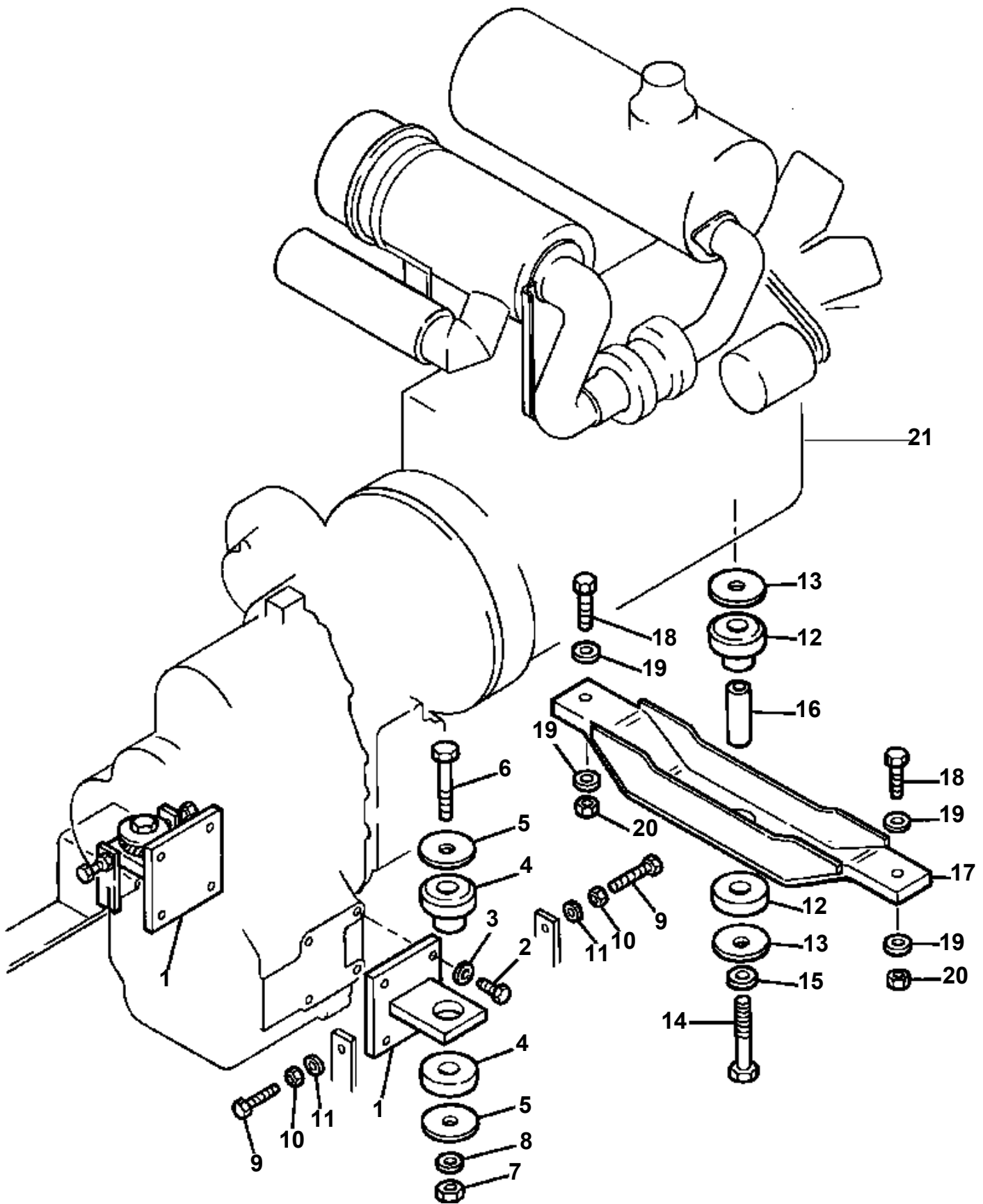
**WA250-1LC S/N A65001-UP**  
**WA250-1LC Table of Contents**

**DESCRIPTION**

**ENGINE - S6D102-1**  
**ENGINE RELATED PARTS & ELECTRICAL SYSTEM**  
**TORQUE CONVERTER AND TRANSMISSION**  
**DRIVE SHAFT, AXLES WHEELS & BRAKE SYSTEMS**  
**STEERING CONTROL SYSTEM**  
**FRAME, GUARD & SUPERSTRUCTURE**  
**WORK EQUIPMENT CONTROL SYSTEM**  
**WORK EQUIPMENT**  
**MARK PLATES, TOOLS & KITS**

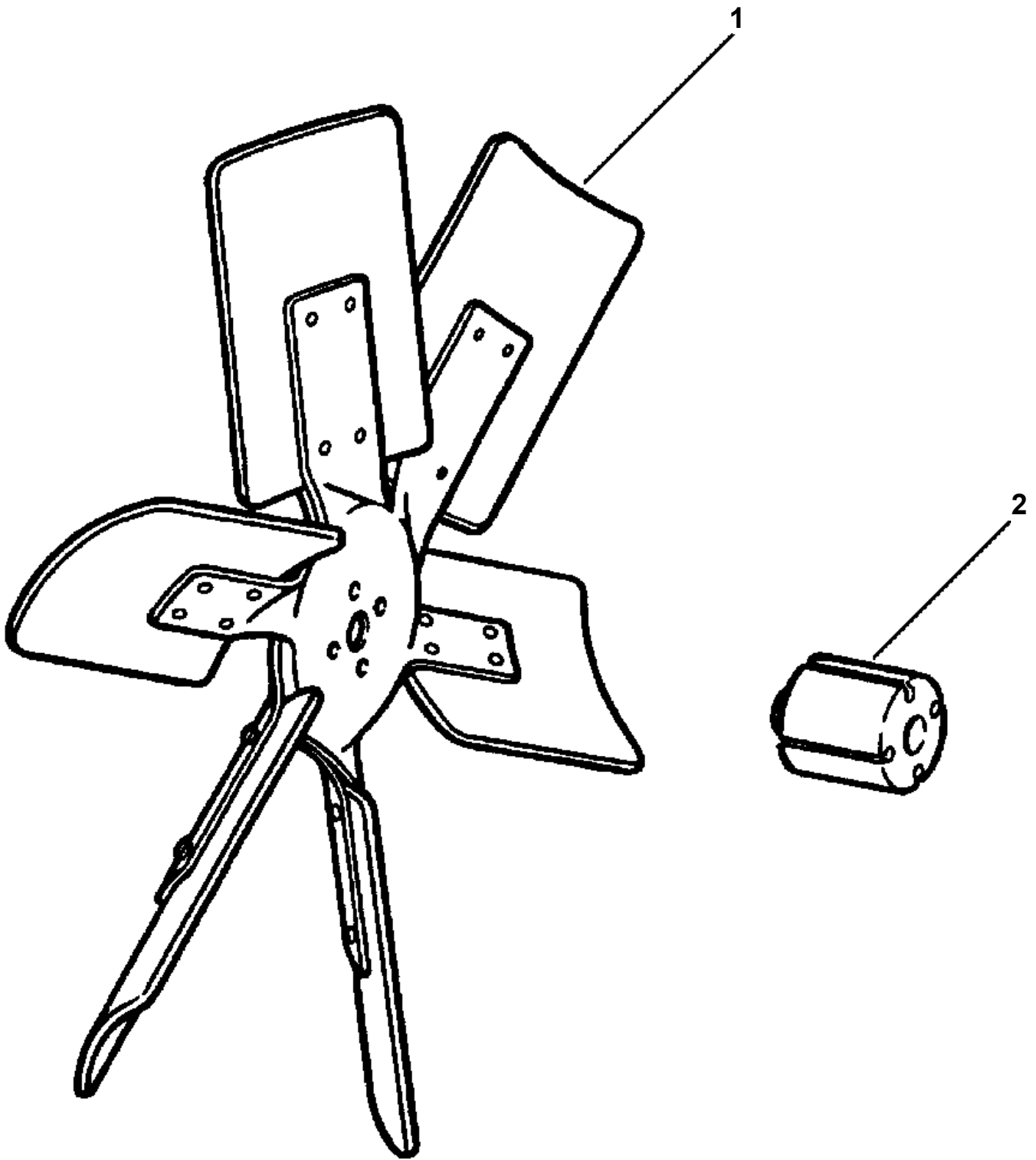
**WA250-1LC S/N A65001-UP**  
**ENGINE RELATED PARTS & ELECTRICAL SYSTEM**

DESCRIPTION
ENGINE MOUNTING PARTS
ENGINE FAN
CRANKING MOTOR MOUNTING
CRANKING MOTOR - DELCO #1993 954
CRANKING MOTOR - DELCO #1993 986
ALTERNATOR DELCO REMY #1117 642 - 24V, 45AMP
ALTERNATOR DELCO REMY #1117 619 - 24V, 50AMP
ENGINE OIL DRAIN LINE
AIR CLEANER AND CONNECTIONS
AIR CLEANER ASSEMBLY
EXHAUST SYSTEM
ACCELERATOR LINKAGE
ACCELERATOR PEDAL
ETHER START AND MOUNTING
FAN GUARD
RADIATOR AND MOUNTING
RADIATOR ASSEMBLY
RADIATOR DUST AND DIRT PROTECTOR
RADIATOR PIPING
FUEL TANK AND PIPING
BATTERY AND BATTERY BOX
INSTRUMENT PANEL FOR MONITOR PANEL
CONSOLE BOX, LH
CONSOLE BOX, RH FOR MONITOR PANEL
ELECTRICAL SYSTEM FRONT LAMP MOUNTING
ELECTRICAL SYSTEM FRONT LINE
ELECTRICAL SYSTEM MAIN LINE
ELECTRICAL SYSTEM ENGINE SENSORS
ELECTRICAL SYSTEM BATTERY LINE
ELECTRICAL SYSTEM REAR LAMP MOUNTING
ELECTRICAL SYSTEM BACK-UP LIGHT
ELECTRICAL SYSTEM ROPS CAB - PALM
ELECTRICAL SYSTEM ROPS CAB - SIMS
FRONT DRIVING LIGHT
L.H. TURN SIGNAL AND PARKING LIGHT
R.H. TURN SIGNAL AND PARKING LIGHT
REAR WORK LIGHT
MONITOR PANEL WITH GROUND DRIVEN STEERING
MONITOR PANEL WITH OUT GROUND DRIVEN STEERING



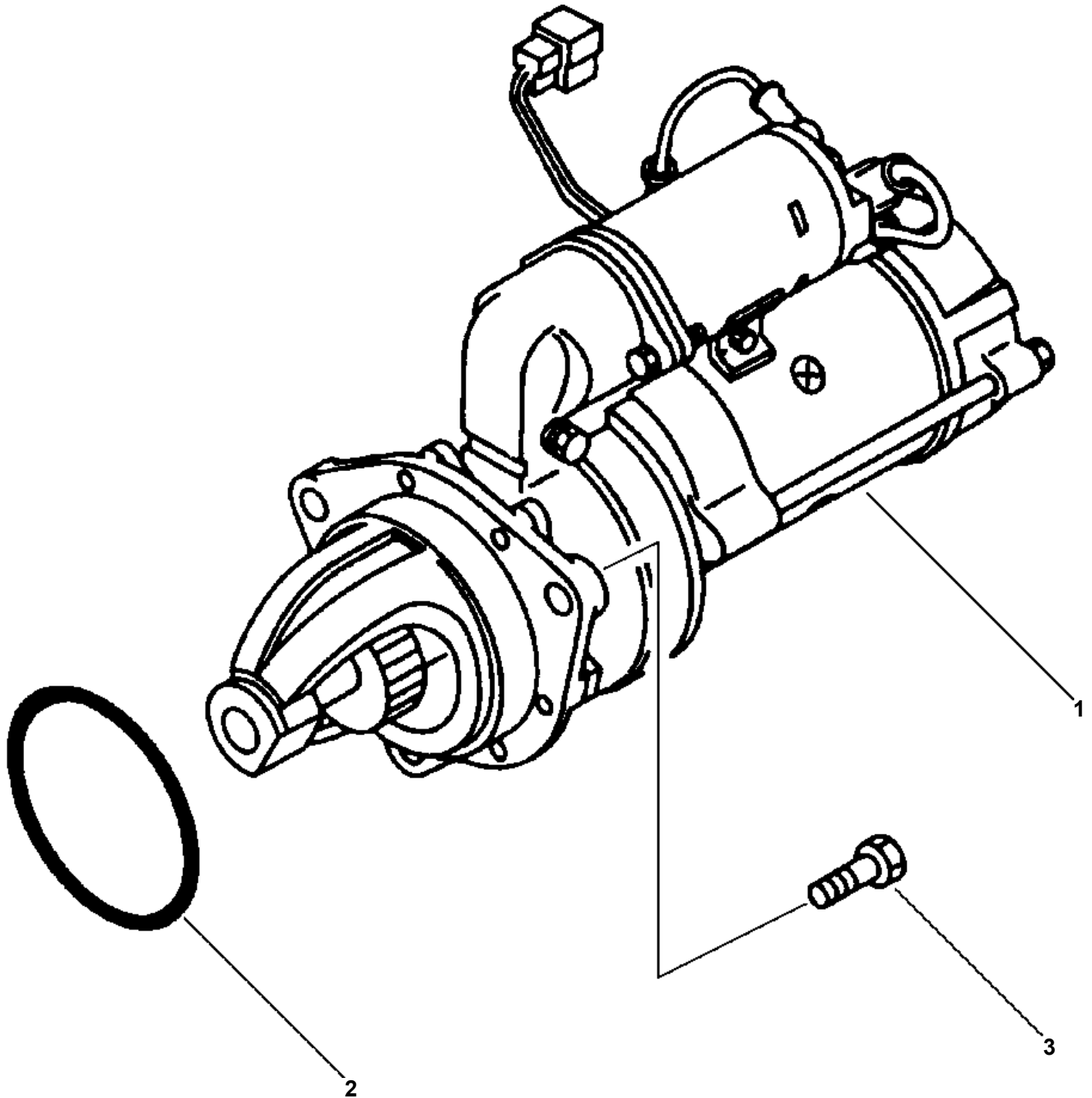
**WA250-1LC S/N A65001-UP  
ENGINE MOUNTING PARTS**

ITEM NO.	PART NO.	DESCRIPTION	Q'TY	REF
1	417-14-11110	BRACKET, TRANSMISSION MOUNTING	2	
2	01010-31650	BOLT, MOUNT BRACKET	8	
3	01643-31645	WASHER	8	
4	417-01-11130	CUSHION ASSEMBLY, TRANSMISSION MOUNT	2	
5	419-01-11162	WASHER	4	
6	01011-32230	BOLT, MOUNT CUSHION	2	
7	01580-02218	NUT	2	
8	01643-32260	WASHER	2	
9	01016-31670	BOLT	4	
10	01580-01613	NUT	4	
11	01643-31645	WASHER	4	
12	417-01-11130	CUSHION ASSEMBLY, ENGINE MOUNT	1	
13	419-01-11162	WASHER	2	
14	02011-51014	BOLT, MOUNT CUSHION	1	
	24 882 R1	BOLT, MOUNT CUSHION (5/8NC X 4 1/2)	1	
15	01643-31645	WASHER	1	
16	418-01-A1750	SPACER	1	
17	418-01-A1740	SUPPORT, FRONT ENGINE MOUNT	1	
18	01010-31660	BOLT, MOUNT SUPPORT	2	
19	01643-31645	WASHER	4	
20	01580-01613	NUT	2	
21	418-01-A1110	ENGINE ASSEMBLY, 610T F1 - FOR SERVICE PARTS REFER TO ENGINE THE SECTION (0E) IN FRONT OF BOOK	1	F1



**WA250-1LC S/N A65001-UP  
ENGINE FAN**

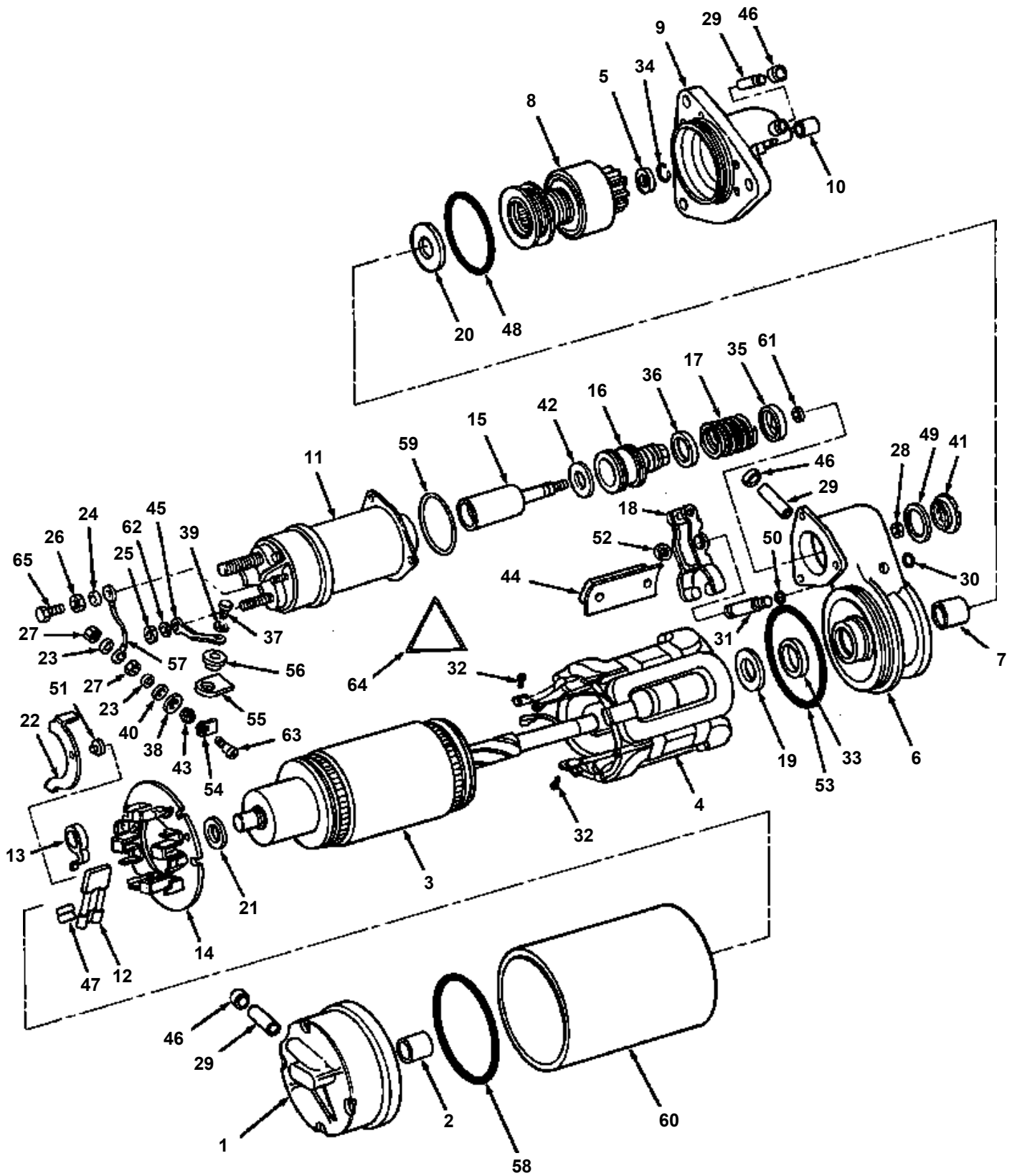
ITEM NO.	PART NO.	DESCRIPTION	Q'TY
1	1280 384 H1	FAN, BLOWER	1
	01010-51090	BOLT, FAN MOUNTING	4
	01643-31032	WASHER	4
2	203-01-A1130	SPACER, FAN PILOT	1





**WA250-1LC S/N A65001-UP  
CRANKING MOTOR MOUNTING**

ITEM NO.	PART NO.	DESCRIPTION	Q'TY	REF
1		MOTOR ASSEMBLY, CRANKING (SEE PG 01-008)		F1
2	1244 394 H1	MOTOR ASSEMBLY, CRANKING (SEE PG 01-014)		F2
2	446 839 C1	GASKET, CRANKING MOTOR	1	
3	01437-11040	GASKET, LIQUID	A/R	
3	01437-11040	BOLT, M10 X 40 12 PT - CRANKING MOTOR MOUNTING	3	F1
3	01437-11045	BOLT, M10 X 45 12 PT - CRANKING MOTOR MOUNTING	3	F1
3	01437-11035	BOLT, M10 X 35 12 PT - CRANKING MOTOR MOUNTING	3	F2
		F1 - ON MACHINES S/N A65001 THRU A65050.		
		F2 - ON MACHINES S/N A65051 AND UP.		



**WA250-1LC S/N A65001-UP**  
**CRANKING MOTOR - DELCO #1993 954**

ITEM NO.	PART NO.	DESCRIPTION	Q'TY	REF
	1243 026 H92	MOTOR ASSEMBLY, CRANKING	1	
1	1283 444 H1 (NSS)	· FRAME, COMMUTATOR END	1	
		· BOLT	4	F1,F2
2	(NSS)	· BUSHING, COMMUTATOR END FRAME	1	F2
3	1210 065 H1	· ARMATURE	1	
4	1283 445 H1	· COIL, FIELD	1	
5	(NSS)	· STOP, PINION	1	F2,F3
6	1268 824 H91	· HOUSING, LEVER	1	
	1245 107 H1	· SCREW, LEVER HOUSING MOUNTING	4	
7	(NSS)	· BUSHING, LEVER HOUSING	1	F2
8	1210 067 H1	· DRIVE, MOTOR	1	
9	1267 948 H1	· HOUSING, DRIVE	1	
	1245 105 H1	· SCREW, DRIVE HOUSING MOUNTING	3	
10	(NSS)	· BUSHING, DRIVE HOUSING	1	F2
11	1283 447 H1	· SWITCH, SOLENOID	1	
	1283 448 H1	· SCREW AND WASHER, SWITCH MOUNTING	3	
12	(NSS)	· BRUSH	1	F1
	1211 292 H1	· SCREW, BRUSH LEAD MOUNTING	1	F1
13	(NSS)	· SPRING, BRUSH	1	F1
14	1283 452 H1	· PLATE ASSEMBLY, BRUSH	1	
15	1228 450 H1	· PLUNGER	1	
16	1210 071 H1	· BOOT	1	
17	1210 073 H1	· SPRING, PLUNGER	1	
18	(NSS)	· LEVER, SHIFT	1	F3
19	(NSS)	· WASHER, SPACER DRIVE END	1	F2
20	(NSS)	· WASHER, BRAKE	1	F2
21	(NSS)	· WASHER, COMMUTATOR END THRUST	1	F2
22	1210 058 H1	· CONDUCTOR	1	
23	120 217	· WASHER, SHUNT TERMINAL LOCK	2	
24	120 217	· WASHER, SHUNT LEAD TO SWITCH ATTACHING	1	
25	1211 267 H1	· NUT, FIELD COIL CONNECTOR TO SWITCH	1	
26	115 999	· NUT, SHUNT LEAD TO SWITCH	1	
27	115 999	· NUT, SHUNT TERMINAL	2	
28	(NSS)	· NUT, PLUNGER ROD GUIDE ADJUSTING	1	F2,F3
29	(NSS)	· WICK, OIL RESERVOIR	3	F2
30	213 262 R1	· RING, SHIFT LEVER SHAFT RETAINING	1	F3
31	1211 152 H1	· SHAFT, SHIFT LEVER	1	F3
32	1211 292 H1	· SCREW, FIELD COIL LEAD TO BRUSH HOLDER	3	
33	(NSS)	· SEAL, OIL - LEVER HOUSING	1	F2
34	(NSS)	· RING, PINION STOP RETAINER	1	F2,F3
35	1210 074 H1	· RETAINER, PLUNGER SPRING (13/32	1	
36	1210 072 H1	· RETAINER, PLUNGER SPRING (1-13/16	1	
37	1283 448 H1	· SCREW, CONNECTOR TO FIELD TERMINAL	1	
38	(NSS)	· WASHER, SHUNT TERMINAL INSULATOR	1	
39	120 385	· WASHER, FIELD TERMINAL	1	
40	(NSS)	· WASHER, SHUNT TERMINAL	1	
41	1210 066 H1	· PLUG, LEVER HOUSING INSPECTION	1	
42	1210 070 H1	· WASHER, PLUNGER SPRING RETAINER	1	
43	1210 063 H1	· BUSHING, SHUNT TERMINAL	1	
44	1268 221 H1	· POLE SHOE	1	
	1245 108 H1	· SCREW, POLE SHOE	2	
45	1283 456 H1	· CONNECTOR, FIELD TERMINAL TO SWITCH	1	
46	(NSS)	· CUP, OIL RESERVOIR	3	F2
47	1228 454 H1	· PIN, BRUSH PLATE LOCATOR SPRING	1	
48	347 360 R1	· O-RING, DRIVE HOUSING AND LEVER HOUSING	1	F2,F3
49	1211 151 H1	· GASKET, LEVER HOUSING INSPECTION PLUG	1	F2,F3
50	352 219 R1	· O-RING, SHIFT LEVER SHAFT (3/8	1	F3
51	1210 057 H1	· INSULATOR	1	
52	355 967 R1	· O-RING, SHIFT LEVER SHAFT (1/2	1	F3
53	22 411 R1	· O-RING, BETWEEN LEVER HOUSING AND FRAME	1	F2
54	1210 064 H1	· INSULATOR, SHUNT TERMINAL	1	
55	1210 061 H1	· INSULATOR, FIELD TERMINAL (INSIDE) FRAME	1	
56	1210 062 H1	· INSULATOR, FIELD TERMINAL (OUTSIDE) FRAME	1	
57	(NSS)	· LEAD, SHUNT TERMINAL IN FRAME TO SWITCH RETURN TERMINAL	1	